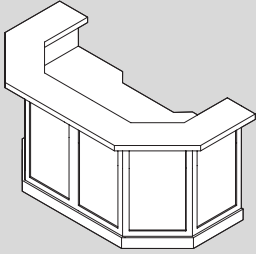

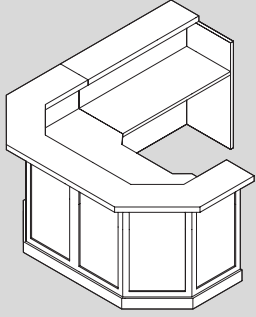
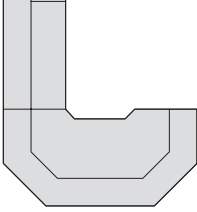
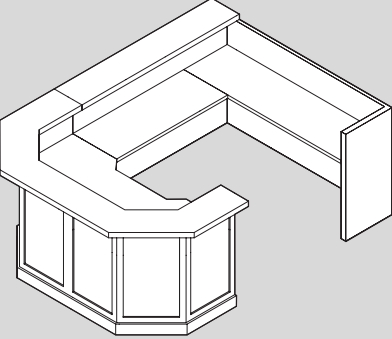
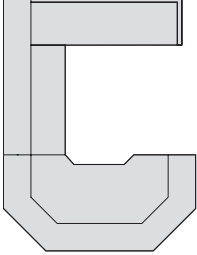
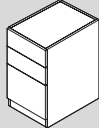
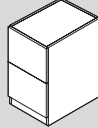
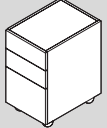


Kent Series

Kent features: raised panels in solid wood. 12" deep transaction countertop with marble inlay. Grommet supplied on all desks and returns.

	Plan Configuration		Sizes W x D x H
	<p>Configuration 0</p> 	Desk	
		Desk only, 42"d x 42"h with grommet.	72 x 42 x 42
		See storage options below.	84 x 42 x 42
			96 x 42 x 42
	<p>Configuration 1</p> 	Desk with Return	
		Desk and 48"w x 27"d return, with two grommets.	72 x 90 x 42
		See storage options below.	84 x 90 x 42
		Specify left or right return.	96 x 90 x 42
	<p>Configuration 2</p> 	Desk with Bridge and Credenza	
		Desk, 48"w x 27"d bridge and 20"d rear credenza shell, with three grommets.	72 x 110 x 42
		See storage options below.	84 x 110 x 42
		Specify left or right return.	96 x 110 x 42

Storage options to be placed under worksurface						
<p>Option: All wood transaction counter. Call factory for pricing.</p>	RPED 21 Box, box, file pedestal with lock. 16" wide.		RPED 02 File, file pedestal with lock, 16" wide.		RMP 21 Mobile BBF pedestal, with lock, 16" wide.	
	Add \$1150 List.		Add \$1035 List.		Add \$1155 List.	

For a larger map see page 9.



- Zone 1
- Zone 2
- Zone 3
- Zone 4

Prices shown below are list prices,
dock delivered to zone indicated.

Prices subject to fuel surcharge.
Installation available in some areas.
See page 9.

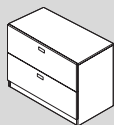
list prices 1/08

Model No.	Prices shown below are for Kent edge only				Ship Wt	Kent edge detail for transaction counter tops
	Zone 1	Zone 2	Zone 3	Zone 4		
RKCT0722	16200	16784	17076	17368	700	
RKCT0842	17219	17840	18150	18460	800	
RKCT0962	18618	19289	19624	19960	900	
RKCT1722	21702	22484	22875	23266	1000	
RKCT1842	22713	23531	23941	24350	1100	
RKCT1962	24126	24995	25430	25865	1200	
RKCT2722	26154	27096	27568	28039	1500	
RKCT2842	27164	28143	28632	29122	1600	
RKCT2962	28578	29608	30123	30638	1700	

Storage options to be placed under worksurface

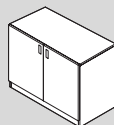
RFL 30
RFL 36
Lateral file with lock,
30" or 36" wide.

Add \$1550 List.



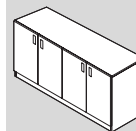
RDC 30
2-door storage with
adj wood shelf,
30" wide.

Add \$1260 List.

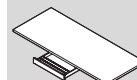


RDC 60
4-door storage with
adj wood shelves,
60" wide.

Add \$1625 List.



020
Pencil drawer.
Add \$195 List.



031
Articulating
Keyboard drawer
with mousepad.
Add \$480 List.

