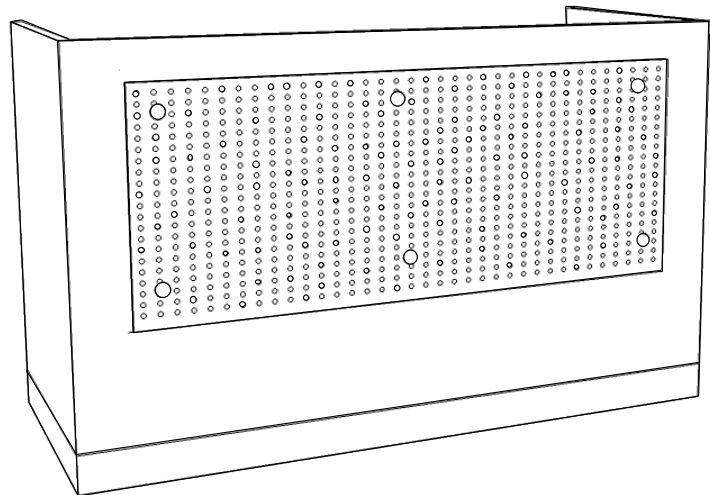
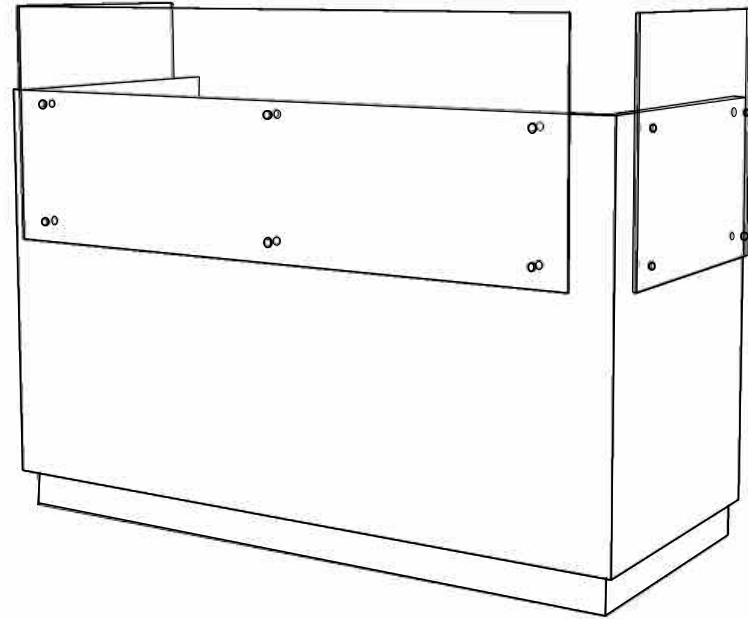
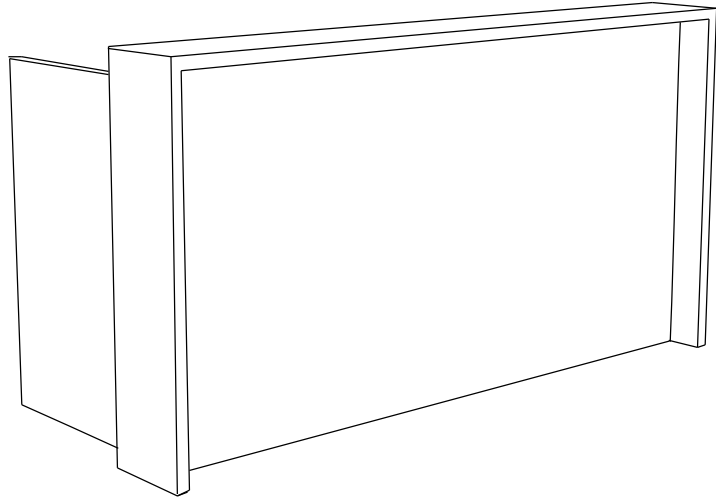
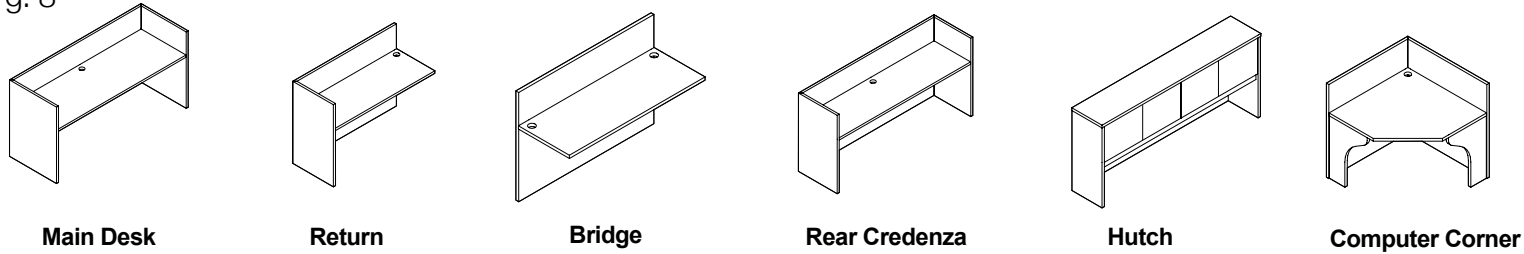


Arnold Reception Desks

Konnect
Administrative Reception Stations

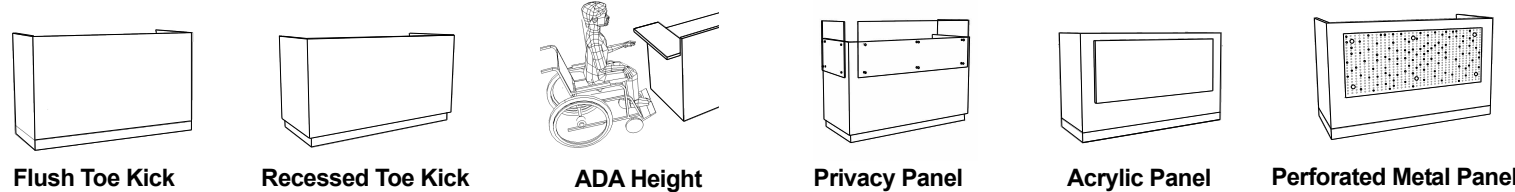


Component Options
Pg. 8



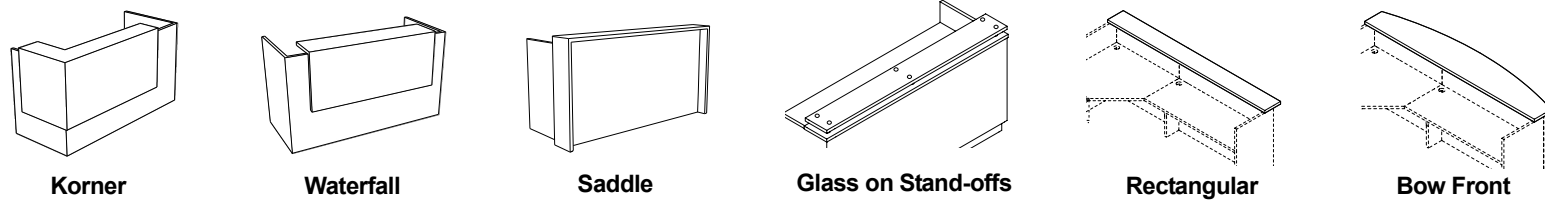
Main Desk Return Bridge Rear Credenza Hutch Computer Corner

Chassis Options
Pg. 10



Flush Toe Kick Recessed Toe Kick ADA Height Privacy Panel Acrylic Panel Perforated Metal Panel

Counter Options
Pg. 10



Korner Waterfall Saddle Glass on Stand-offs Rectangular Bow Front

Storage Options
Pg.11

Wood Edge Selections
Pg 11

Hardware Selections
Pg 11

Custom capabilities
Arnold Reception Desks welcomes requests for custom units. All the units above can be reconfigured to respond to special conditions and requirements. ARD can also build pure custom units based on special architectural specifications.

Special finishes
ARD also welcomes requests to match finishes from other furniture manufacturers and will provide strike off for approval for a modest upcharge.

Terms

Net 30 days. All prices shown in this price list are list prices. Dock delivered according to zones. Prices are effective January 1, 2012 and are valid until superseded. This price list supercedes all previous ARD price list.

Ordering information

Order directly by mail, fax, or telephone to:

Arnold Reception Desks Inc.
120 Coit Street, Irvington, NJ 07111
Toll Free (800) 306-0076
Fax: (973) 375-8090

Please include the following when ordering:
1 – Item name, style number, and description
2 – Top size or OA size as shown in price list
3 – Type of wood and finish color
4 – Variables if applicable, such as left or right
5 – Options when desired
6 – Indicate if product(s) is to be "shipped together" with other products from other Arnold companies.

Telephone orders must be confirmed by a purchase order. Duplicate orders received not marked "Confirmation" are the responsibility of the buyer.

New Accounts

Please include three satisfactory credit references, one bank reference and a 50% deposit with your first order.

Acknowledgements

Upon credit approval, all orders will be acknowledged by ARD. Acknowledgements indicate terms of sale, discount rate, buyer's representative, Transportation Company, approximate shipping date, merchandise ordered, freight cost if applicable, and our acknowledgement number. All prices are dock delivered prices according to zones unless otherwise indicated. Please check with ARD immediately in case of a question or discrepancy. ARD will not be held responsible on orders placed on the phone without written confirmation.

Prices

Prices are based on an order as written, and not necessarily on your inquiry or our original quotation. The price as shown on the acknowledgment are final and will be invoiced on the date of shipment.

Cancellations and/or Changes

Orders are processed immediately upon receipt, and cancellations or changes can only be made with prior approval of ARD. A cancellation charge of 10% will be incurred after a period of three working days. Cancellation of "Work in progress" is subject to a 25% charge. Special orders, special finishes, "Quick Ship", and orders marked "Rush" cannot be cancelled. Cancellation of a standard unit after fabrication will incur a 50% charge.

Shipping Delays

Diligent effort will be made to ship orders for the date acknowledged. We cannot be held financially responsible for delays due to strikes, accidents, raw material shortages or other delays.

Packing and Shipping

Goods are carefully inspected and blanket wrapped or cartoned before being turned over to the transportation company. All units are shipped assembled resulting in a quick and easy setup at the destination.

Damaged Material

The goods are carefully inspected and in good condition when accepted by the carrier. If damage occurs, it is your responsibility to immediately notify the transportation company to make an inspection prior to discarding packaging material. If the packaging material is damaged, you should make this request upon receipt of shipment. Upon receipt, all shipments should be opened and thoroughly inspected for concealed damages and reported within 24 hours.

Manufacturing Defects

Claims of a factory defect must be verified by a factory representative. Unauthorized deductions from our invoice will not be allowed.

Generalities

All ARD casegoods are shipped with heavy duty 1/4 – 20 tread adjustable nylon glides that permit perfect drawer and door alignment. A strip of wood (a skid strip) protecting the casegoods during shipment must be removed before the glides can be adjusted to meet the contours of the floor. Multi-piece tops are shipped with "level tights" that allow for a perfectly flush alignment of tops.

Product Changes

ARD reserves the right to make changes in design and construction or to discontinue products without prior notice.

Warranty

ARD warrants to its initial customers that ARD products conform to specifications, drawings, samples, or other product descriptions furnished by ARD, and are of good material and workmanship, free of manufacturing and factory defects, and will function properly under normal use and service for three years if installed by ARD and/or authorized dealer. However, natural variations in color and grain patterns occur in bent wood, solid wood, and veneers.

The warranty set forth above does not apply to products modified, altered, or repaired by unauthorized personnel, or to products damaged during shipment or installation, or by accident, abuse, alteration, misuse, tampering, misapplication, negligence by others, improper repair or maintenance, fire and/or other casualty. This warranty does not apply to defects in components not manufactured by ARD.

It is expressly understood and agreed that the customer's sole and exclusive remedy for any and all losses or damages resulting from non-confirming goods, or from any others causes, shall be the repair or replacement of defective parts at the option of ARD, and that ARD shall not be liable for damages, for injury to persons or property, nor for replacement of the entire commercial unit, if repair or replacement of defective parts can reasonably render the unit conforming.

SELLER MAKES NO OTHER WARRANTIES, EITHER EXPRESSED OR IMPLIED, AS TO ANY MATTER WHATSOEVER, AND ARD DISCLAIMS ANY WARRANTY OF MERCHANTABILITY OR FITNESS FOR A PARTICULAR USE OR PURPOSE.

No officer, employee, or representative of ARD has the authority to assume greater liability than that described above.

Woods/Veneers

All solid woods and veneers used on exterior surfaces are A1 select grades. Plain sliced American Walnut, White Oak, Maple and Cherry, applied in a "reverse slip match" fashion resulting in a balanced appearance, as well as slip match Sapele (Mahogany), are the standard veneers used. Ash Burl, Birdseye Maple, and Crotch mahogany veneers are standard or any option on selected products only. Anigre veneers are available at an upcharge. Every effort is made to match solid wood and veneer of like color and grain, however, since wood is a natural material, some variation in grain, color, and character may occur. This variation is not considered a defect.

ARD woods sample color chips are dated, and only chips dated with the current year should be used. If older samples are used, please send the sample with the purchase order for proper color adjustment.

About Woods

ARD would like to take this opportunity to point out to its customers several of the distinguishing characteristics that make wood such a unique material with beauty and charm:

- No two trees are exactly alike, and as a result, natural variations in color and tone are to be expected
- Solid woods and veneers accept stain in varying degrees, thereby contributing to slight differences in shading
- Woods are highly susceptible to color changes from exposure to light, particularly from the ultra violet rays. Cherry is extremely photo sensitive. It is recommended that the end user be instructed to avoid placing wood products in areas with prolonged exposure to direct sunlight. This will help to minimize, though not eliminate, color changes.
- Properly maintained levels of humidity in the environment where the furniture is placed should also minimize instances of warping, checking, and cracking of veneers and solids. Fluctuations in humidity and temperature may cause panels and solid wood components to expand and contract, and may lead to panel warpage and finish checking or cracking. Prolonged exposure of furniture to dry heat during winter months should be avoided. A minimum humidity level of 45% in climate controlled buildings is very important for the proper care of natural wood products.

Note: Due to the nature of Burl and Crotch veneer, the temperature and humidity of the environment into which the product is placed may cause change to the face veneer. ARD cannot be held responsible for checking and/or shrinkage that may occur over the course of time.

Special Wood Finishes

ARD provides its customers finish matching capability. Customer must submit 3 x 3" sample of the finish to be matched. The amount of upcharge is based upon the following criteria:

- \$75 minimum on any special wood finish
- Color match only of sample with open pore finish: + 5%
- Color and texture match of closed pore finishes: + 25%
- Closed pore finish (top surface only) on any Arnold standard wood stain: + 10%
- Buffed/polished appearance: call factory for pricing
- Finish matches requiring bleaching will result in an additional upcharge. The factory reserves the right to make the final determination.

Please note, that unless otherwise agreed, closed pore finishes will be done on horizontal work surfaces only.

Special and Custom items
ARD has the ability, through its flexible manufacturing policy, to produce custom courtroom furniture, or modify any existing Arnold line to meet the user's requirement. Please submit your plans and specifications for a quotation. All sales on custom or specially modified items are final. A 50% deposit is required when the order is placed, whether or not credit is established with ARD. These orders cannot be cancelled once the manufacturing process has started.

Wood Finishes

ARD offers a substantial number of different stains on White Oak, Walnut, Sapele (Mahogany), Cherry, Anigre and White Maple solid woods and veneers. A "seven step" open pore finish is standard. It is a rich, lustrous, water and alcohol resistant 30° satin sheen, multi-coat precatalized top coating applied over a "hand rubbed" wiping stain. Color consistency is maintained by constant comparisons to "control panels" at every step in the finishing process.

Standard ARD Wood Finishes are:	Matching Laminate
Royal Walnut #101	N/A
Cordovan Walnut #102	Figured Mahogany / Wilsonart 7040A-7
Cappucino Walnut #105	Hi Brite Witchcraft / Pionite WX421-H
Natural Oak #200	Sherwood Oak / Pionite WO891-H
Harvest Oak #201	N/A
Mahogany #300	N/A
Cherry Mahogany #301	N/A
Scarlet Mahogany #303	N/A
Medium Cherry on Walnut #400	N/A
Light Cherry #401	Wild Cherry / Wilsonart 7054-7
Victorian Cherry #402	Biltmore Cherry/ Wilsonart 7924K-07
Red Cherry #404	N/A
Classic Cherry #406	N/A
English Cherry #408	N/A
Ebonized Oak #501	Black Ashwood / Pionite SE101*
Ebonized Walnut #503	N/A
* Light Anigre #603	N/A
Natural White Maple #700	Fusion Maple / Wilsonart 7909-7
Pear Wood on Maple #701	N/A

* Items in Anigre veneer are available at an upcharge.

*Pionite SE101 has grain visible. Solid Black, Nevamar S-6-46T can be used as an alternate.

DELIVERED PRICES

Arnold Reception Desks is pleased to introduce here a system of delivered prices, based on geographical zones. The map on the facing page shows how the lower 48 have been divided into 4 zones. (Some states have two different zones.)

Any desk under \$6,000 LIST will be subject to addition freight charges. Inside delivery and installation by the agents of ARD is available in certain areas of the East Coast, and can be found on the enlarged map of Zone 1. Call factory for pricing. Local dealers who want to pick-up the finished furniture at our Irvington NJ factory will be offered a discount of 5%.

STYLES

Some ARD models are available with different styles (Contempo, Kent, Transitional, and Traditional). The pricing for these models is derived from applying a percentage to the price shown.

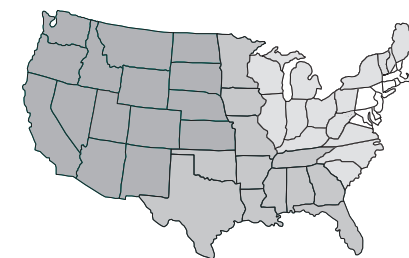
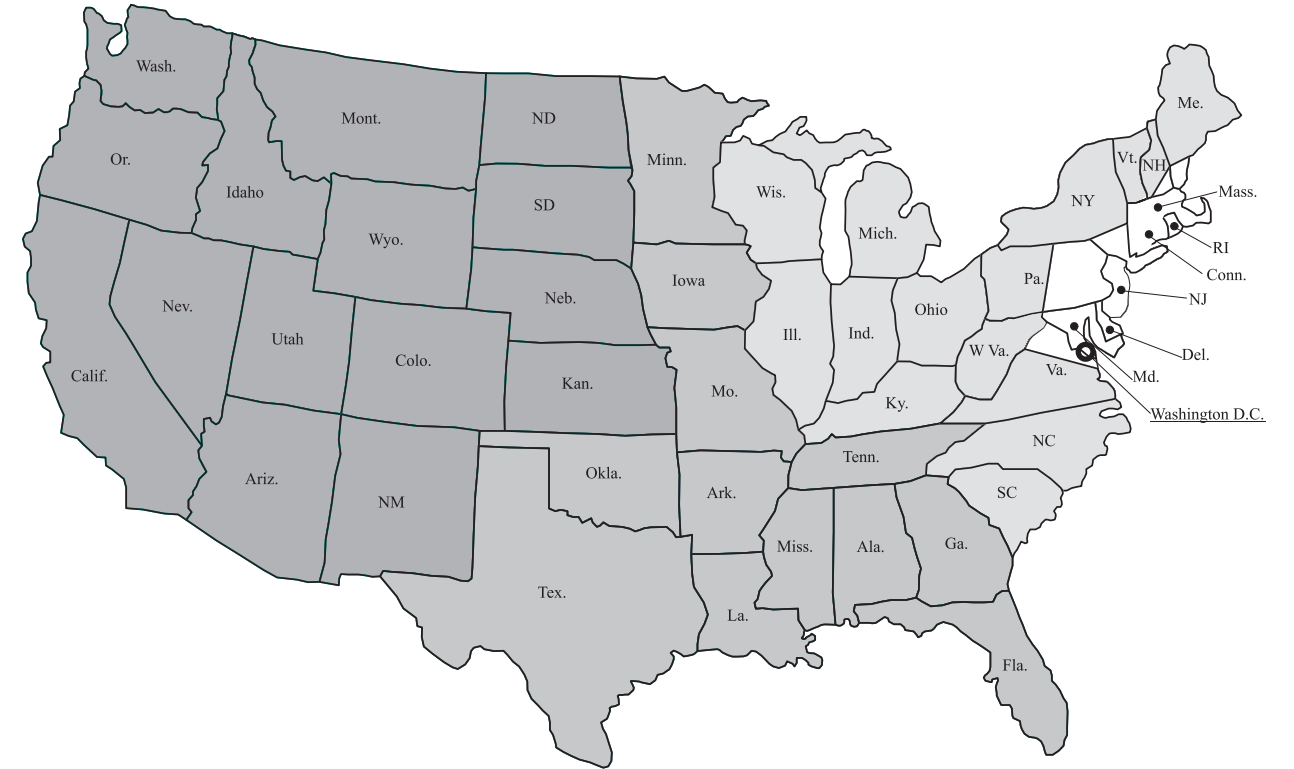
STORAGE

Another major change involves the storage options. All units are now shown with no pedestals or storage. They have to be added to the list price. At the bottom of each page are the most common storage options, with a list price.

NOTE

Important - please check all critical on-site measurements -- doorways, elevators, halls -- to make certain they are adequate to allow passage and installation of large reception desks.

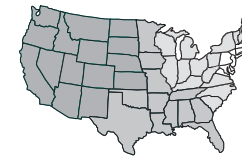
Smaller units may be subject to additional freight charges and all prices are subject to fuel surcharge.



Zone 1
Zone 2
Zone 3
Zone 4

Delivery and installation available in some areas of zone 1. Call factory for pricing.

State	Zone	State	Zone
Alabama	3	Montana	4
Alaska	Call for Price	Nebraska	4
Arizona	4	Nevada	4
Arkansas	3	New Hampshire	1/2
California	4	New Jersey	1
Colorado	4	New Mexico	4
Connecticut	1	New York	1/2
Delaware	1	North Carolina	2
Florida	3	North Dakota	4
Georgia	3	Ohio	2
Hawaii	Call for Price	Oklahoma	3
Idaho	4	Oregon	4
Illinois	2	Pennsylvania	1/2
Indiana	2	Rhode Island	1
Iowa	3	South Carolina	2
Kansas	4	South Dakota	4
Kentucky	2	Tennessee	3
Louisiana	3	Texas	3
Maine	1/2	Utah	4
Maryland	1	Vermont	2
Massachusetts	1	Virginia	1/2
Michigan	2	Washington	4
Minnesota	3	West Virginia	2
Mississippi	3	Wisconsin	2
Missouri	3	Wyoming	4



- Zone 1
- Zone 2
- Zone 3
- Zone 4

Prices shown below are list prices.
Orders below \$6,000 List are subject to additional freight charges

Prices subject to fuel surcharge.
 Installation available in some areas.
 See page 7.

list prices 4/14

	Components	Sizes W x D x H	Model No.	Zone 1	Zone 2	Zone 3	Zone 4	
	Main Desk 30" depth standard One grommet See storage options on Pgs 10-11.		66 x 30 x 42	KAD6630	2915	3028	3080	3135
			72 x 30 x 42	KAD7230	3100	3220	3278	3333
			84 x 30 x 42	KAD8430	3750	3843	4535	3978
			96 x 30 x 42	KAD9630	4230	4400	4535	4626
	Return Specify left or right One grommet See storage options on Pgs 10-11		42 x 24 x 42	KAR4224	2596	2690	2735	2785
			48 x 24 x 42	KAR4824	2805	2910	2965	3014
			60 x 24 x 42	KAR6024	3097	3208	3264	3320
	Bridge Specify left or right One grommet		30 x 24 x 42	KAB3024	1665	1722	1750	1782
			42 x 24 x 42	KAB4224	1860	1935	1965	1995
			48 x 24 x 42	KAB4824	2240	2330	2385	2440
			60 x 24 x 42	KAB6024	2775	2875	2925	3105
	Rear Shell For use with bridge See storage options on Pgs 11		66 x 24 x 42	KARS6624	2570	2675	2720	2815
			72 x 24 x 42	KARS7224	2900	3020	3125	3215
			84 x 24 x 42	KARS8424	3350	3480	3540	3600
	Hutch 20"d X 42" h With valance for optional task light.		66 x 20 x 42	KAH66	3675	3815	3940	4100
			72 x 20 x 38	KAH72	3970	4120	4280	4410
			84 x 20 x 38	KAH84	4465	4720	4875	5020
	Computer Corner For use with return or bridge One grommet		42 x 42 x 42	KAC42	3485	3625	3735	3850



Prices shown below are list prices.
Orders below \$6,000 List are subject to additional freight charges.

list prices 4/14

Prices subject to fuel surcharge.
Installation available in some areas.
See page 7.

<p>Flush Toe Kick</p> <p>Add 15% to each components list price</p> <p>Plam, or metal laminate.</p>	<p>Recessed Toe Kick</p> <p>Add 30% to each components list price</p> <p>Recessed toe kick in wood, Plam, or metal laminate.</p>	<p>ADA Counter</p> <p>\$1675</p> <p>ADA height counter 30" AFF Typical</p>	<p>Storage Options to be Placed Underneath Worksurface</p>					
<p>Acrylic Privacy Panel</p> <p>Desk - \$3285 Return - \$1685</p> <p>ARD Standard 1/2" frosted acrylic panel Attached to chassis with ARD Standard metal stand offs*</p>	<p>Acrylic Accent Panel</p> <p>\$2565</p> <p>1/2" ARD Standard acrylic on metal stand-offs</p>	<p>Perforated Metal Accent Panel</p> <p>\$4065</p> <p>Metal accent panel on with 1/2" finished margins on ARD standard metal stand-offs*</p>	<p>RPED 21 Box, box, file pedestal with lock. 16" wide. OR Mobile Ped Add \$1150 List.</p>	<p>RPED 02 File, file pedestal with lock, 16" wide. Add \$1035 List.</p>	<p>RPC 18 Printer cabinet with slide out shelf 18" wide. Add \$1050 List.</p>			
<p>Korner Counter</p> <p>\$4010</p> <p>3/4" Korner transaction counter in wood or laminate Specify left or right Call factory for stone pricing</p>	<p>Waterfall Counter</p> <p>\$2900</p> <p>3/4" Waterfall transaction counter in wood or laminate Call factory for stone pricing</p>	<p>Saddle Counter</p> <p>\$4150</p> <p>10" d Saddle transaction counter in wood or laminate Call factory for stone pricing</p>	<p>Tackboard ARD Standard or COM</p> <p>66" Desk\$660 72" Desk.....\$710 84" Desk.....\$760</p>	<p>Hardware Selection</p> <p>Please choose from one of the following pulls. If no pull is selected the Standard Finger Pull will be used.</p>	<p>R - Satin</p> <p>Recessed satin chrome pull</p>			
<p>1/4" Rectangular Transaction Counter</p> <p>66" - \$950 72" - \$1205 84" - \$1395</p> <p>Rectangular transaction counter in wood Solid wood edge or Plam with self edge Call factory for stone pricing</p>	<p>1/4" Bow Front Transaction Counter</p> <p>66" - \$1605 72" - \$1710 84" - \$1900</p> <p>Bow front transaction counter in wood Solid wood edge or Plam with self edge Call factory for stone pricing</p>	<p>1/2" Glass on Stand-offs Transaction Counter</p> <p>1/2" Clear - \$2295 Bow Front: \$3580 1/2" Frosted - \$2600 Bow Front: \$3950</p> <p>1/2" clear or frosted glass on ARD standard metal stand-offs * On wood or laminate sub-top Call factory for back painted glass pricing</p>	<p>B - Brushed</p> <p>Square "U" shaped pull in brushed stainless steel</p>	<p>C - Black</p> <p>Crescent shaped black metal pull</p>	<p>C - Satin</p> <p>Crescent shaped satin aluminum pull</p>			
<p>ARD Standard Metal Stand-Offs Finish Options</p> <p>Stainless Steel Aluminum Call factory for pricing on other metal finishes</p>	<p>ARD Standard Laminates</p> <p>Any Matte finish laminate from: Formica, WilsonArt, or Pionite</p> <p>Please call factory for ColorCore or Glossy Finish laminates.</p>	<p>Wood Edge Selections for Transaction Counter and Worksurface</p>						
			<p>1/4" Solid Wood Edge</p> <p>Q</p>	<p>Waterfall Edge</p> <p>W</p>	<p>Bevel Edge</p> <p>V</p>	<p>Slant Edge</p> <p>S</p>	<p>Bullnose Edge</p> <p>B</p>	<p>Eased Edge</p> <p>E</p>

Add edge detail desired - Q, W, V, S, B, or E as suffix to style number.

Tops of underneath storage units are unfinished

Arnold Reception Desks, Inc.

120 Coit Street, Irvington, New Jersey 07111

Toll Free (800) 306-0076

Tel: (973) 375-8101

Fax: (973) 375-8090

E-mail: info@ardesk.com

www.ardesk.com